



- high alumina content
- sustainability to operating temp above 500°C .
- high compressive and tensile strength.
- available in brown/white glaze.
- suitable for high voltage esps.

- high alumina content
- sustainability to high temp.
- available in brown/white glaze.
- high compressive and tensile strength.



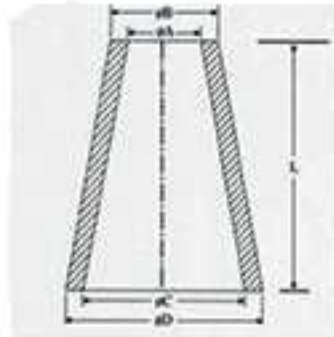
ELECTRO FILTER

Insulators Torsional

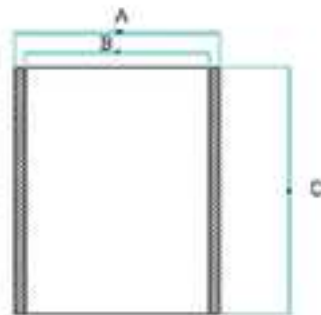


For filling the space between the two conductors that are not connected. Electrically insulating or dielectric system with discharge insulator are used Guidance, excretion and prevent damage caused by a spark between two conductors of electric current intensity, high duty equipment.

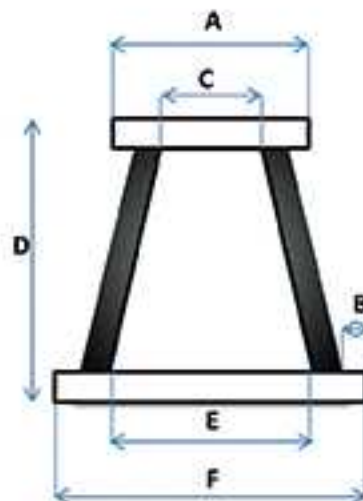
Conical Support Insulator for ESP



| TYPE | A(mm) | B(mm) | C(mm) | D(mm) | L(mm) |
|--------|-------|-------|-------|-------|-------|
| IMB 70 | 200 | 260 | 340 | 460 | 700 |
| IMB 60 | 250 | 300 | 350 | 400 | 600 |



| TYPE | A(mm) | B(mm) | C(mm) |
|------|-------|-------|-------|
| IO | 400 | 360 | 500 |



| TYPE | A(mm) | B(mm) | C(mm) | D(mm) | E(mm) | F(mm) |
|------|-------|-------|-------|-------|-------|-------|
| IE | 280 | 15 | 190 | 360 | 390 | 460 |